

# HOLEMAKER PRO 35 MS

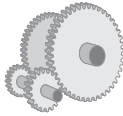
## PIPE DRILLING MACHINE



**Cutters**  
35mm



**Twist Drills**  
16mm



**Speed**  
350 rpm

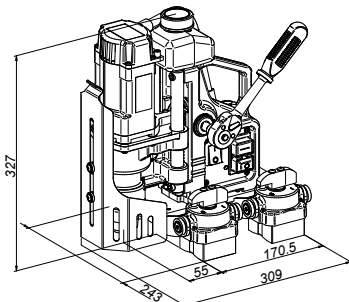
### Features

- All of the features of the standard Pro 35 machine, with the addition of 4x Permanent rare earth magnets allow for external drilling of pipe minimum diameter 300mm or internal drilling of pipe minimum diameter 1000mm
- Quality, Compact & Robust European Made Machine
- Ideal for on-site and overhead tasks
- Solid, robust construction
- Dual rail slide system provides rigidity and eliminates the need for gib adjustments
- Gravity feed, through spindle coolant system
- Magnetically attached coolant bottle, which can be easily removed and attached to the work piece, allowing coolant feed whilst drilling in horizontal applications
- The feed handles can be placed on either the left or right hand side
- Cutter guard system is easy to use and practical.
- Smart magnet technology to ensure sufficient magnetic adhesion
- Comes complete in metal carry case



PART NO. HMPRO35-MS

Part No.	HMPRO35-MS
Capacity (Diameter)	35mm
Capacity (Depth)	35mm
Capacity (Weldon Shank Twist Drills)	16mm
Motor Power	920 Watt
Input Power	950 Watt Single Phase 240V
Speed	350rpm
Weight	14.0kg
Magnetic Dead Lift	6000Nm On 25mm Steel Plate
Stroke	70mm
Height (Min. / Max.)	327 / 397mm



**EUROPEAN**  
MADE QUALITY

